

# TWIN LED SPOTLIGHT

IDEAL FOR SPORTS VENUES, EXHIBITION CENTRES, CAR PARKS AND OTHER COMMERCIAL APPLICATIONS



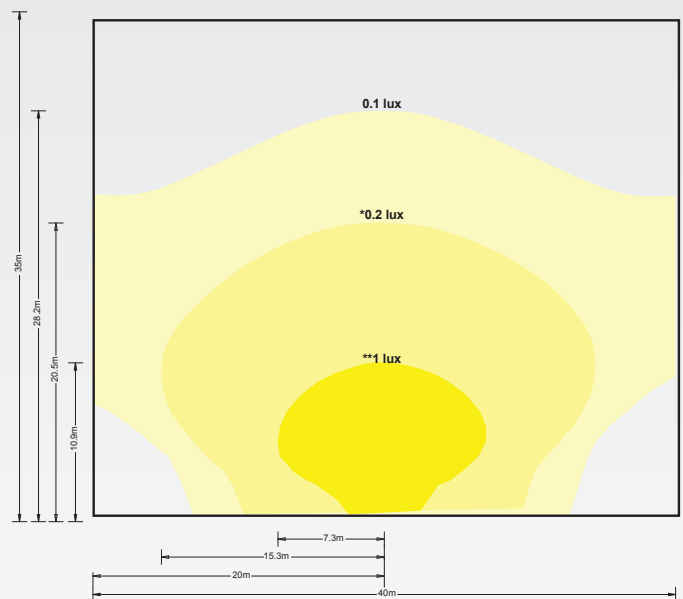
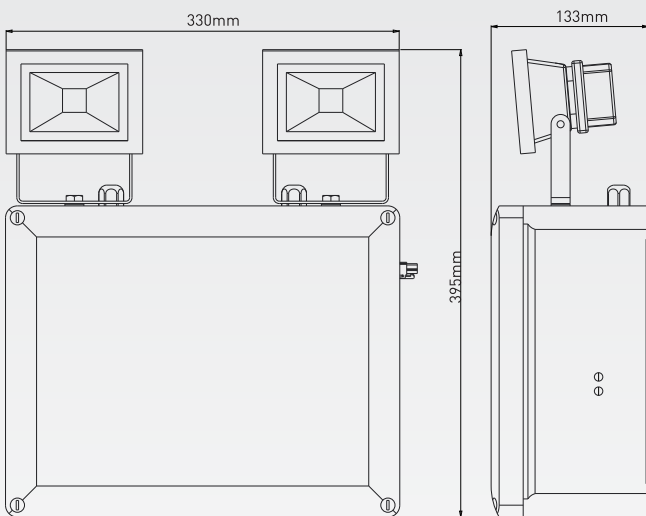
# TWIN LED SPOTLIGHT

IDEAL FOR SPORTS VENUES, EXHIBITION CENTRES,  
CAR PARKS AND OTHER COMMERCIAL APPLICATIONS

- iSmart™ temperature sensing technology for LIION battery
- A high performance emergency LED spotlight for non-maintained emergency applications
- Available in four emergency lighting versions – Standalone, Axiom, Galaxy & DALI
- Environmentally friendly LIION battery
- Robust design
- Easy to install lighting system
- Average lamp life – 50,000 @ L70
- IP65
- Polycarbonate housing cover
- 5 year warranty for LIION Models
- Designed and manufactured in Australia

Cat No	Description
<b>Standalone</b>	
659515LI	Twin LED Spotlight IP65 Standalone LIION
<b>AXIOM</b>	
659516LI	Twin LED Spotlight IP65 LIION
<b>GALAXY</b>	
659065LI	Twin LED Spotlight IP65 LIION
<b>DALI</b>	
659515D	Twin LED Spotlight IP65 NiCD
<b>ACCESSORIES</b>	
682369	Wire Guard - White

## DIMENSIONS



Luminaire is mounted @ 5m above floor on one wall  
Spotlights have a 90 degree tilt angle (straight out from fitting)  
A maintenance factor of 1.0 is applied to all luminaires  
Illuminance measurements are at ground level  
This design is to be used as a guide only and should not be used for compliance. A dedicated lighting design will need to be done for every application

\*0.2lux corresponding to Australian lighting standards  
\*\*1.0lux corresponding to New Zealand lighting standards

Legrand Australia  
1300 369 777  
www.legrand.com.au

Legrand New Zealand  
0800 476 009  
www.legrand.co.nz

